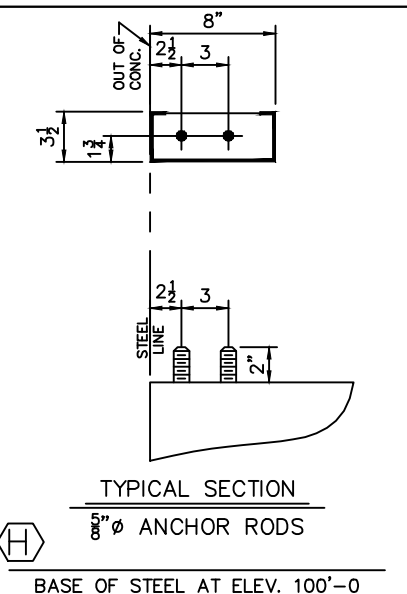
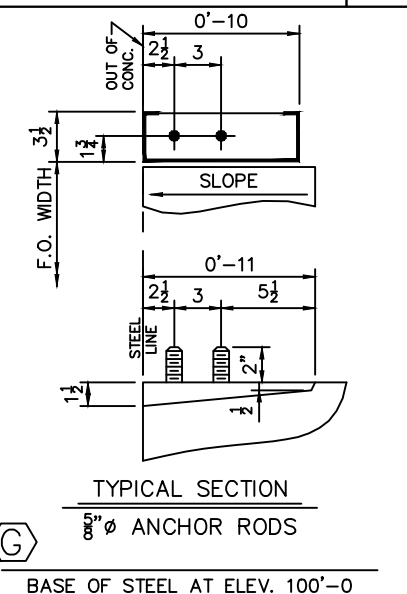
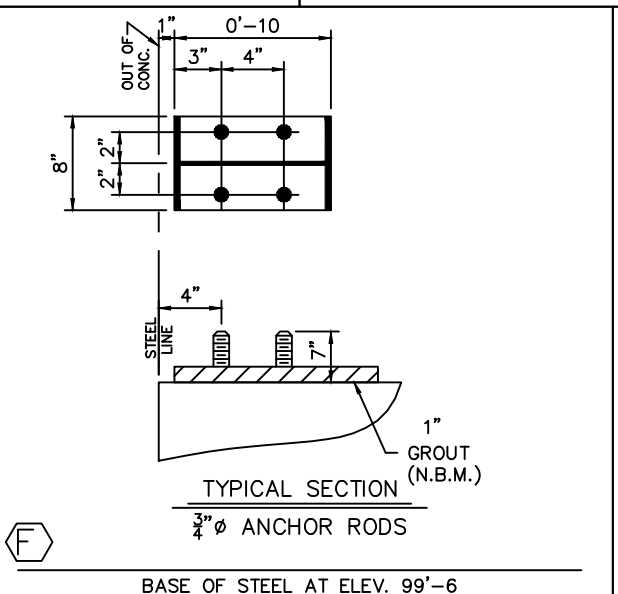
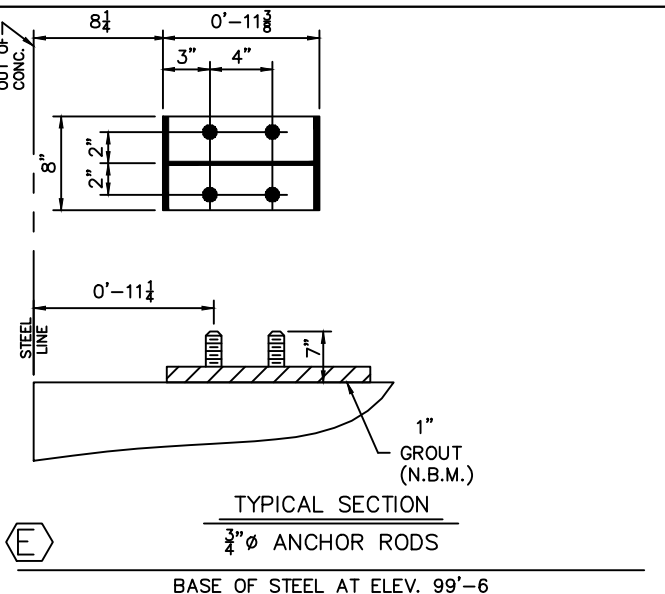
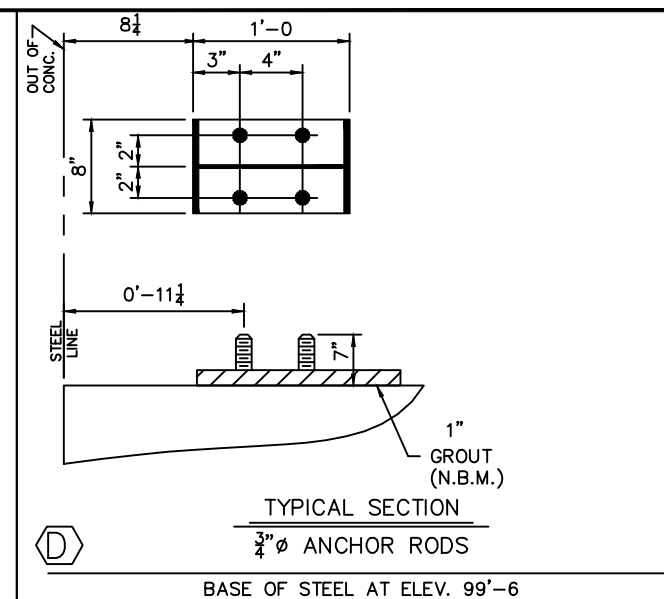
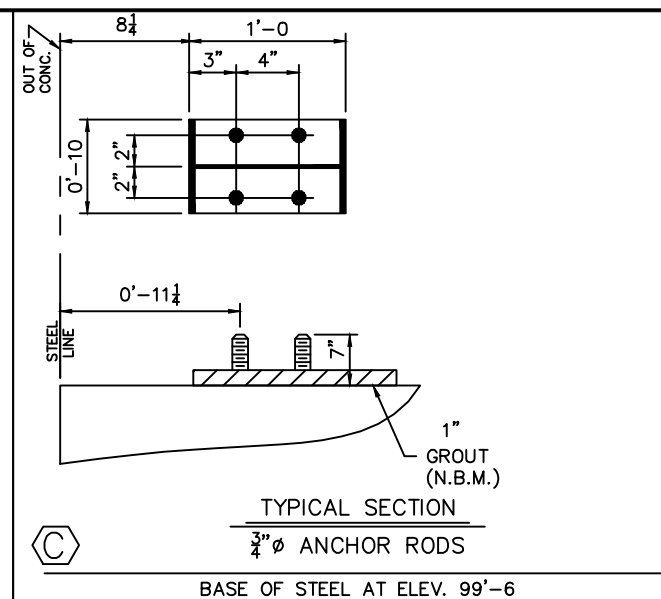
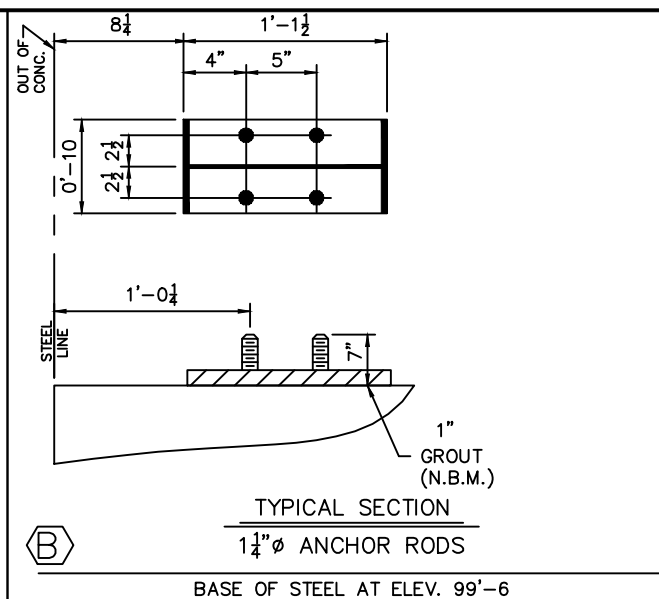
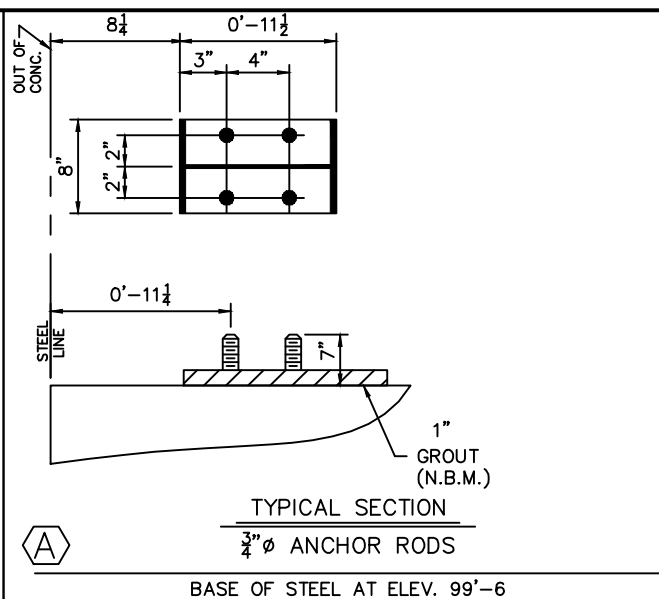
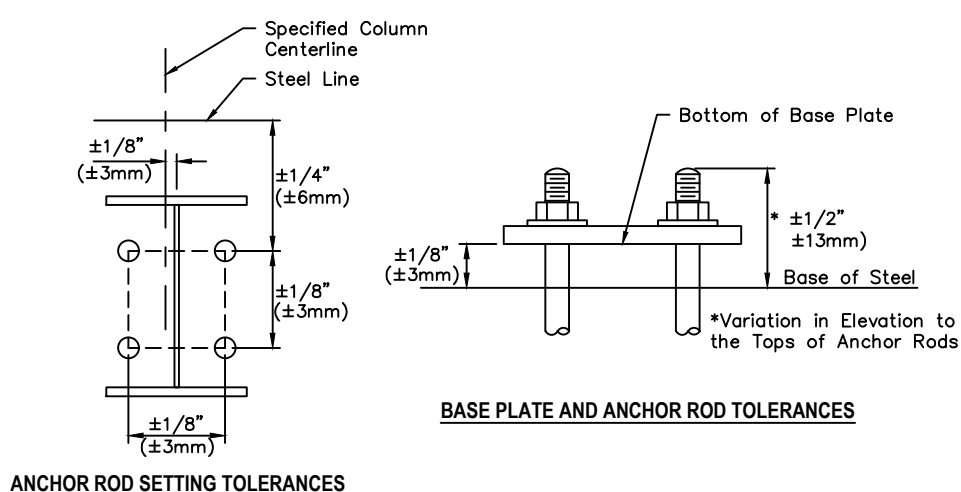


AISC CODE OF STANDARD PRACTICE TOLERANCES FOR SETTING ANCHOR RODS



| Revision | Date | Description | By | Ck'd |
|----------|------|-------------|----|------|
| | | | | |
| | | | | |
| | | | | |
| | | | | |
| | | | | |

1343 SANDHILL DRIVE
 ANCASTER, ONTARIO L9G 4V5
 905-304-1111

Robertson Building Systems

Customer: ARGUE CONSTRUCTION LTD.
 CARP, ON

Project Name & Location:
 VANSON TRUCKING
 OTTAWA, ON

Drawing Status:
 Preliminary (Not For Construction)
 For Approval
 For Construction Permit
 For Erector Installation

Scale: NOT TO SCALE
 Drawn by: DW 10/10/17
 Checked by: STU 10/10/17
 Project Engineer: AIS
 Job Number: 16-B-17646
 Sheet Number: F2 of 5

The engineer whose seal appears hereon is an employee for the manufacturer for the materials described herein. Said seal or certification is limited to the products designed and manufactured by manufacturer only. The undersigned engineer is not the overall engineer of record for this project.

A. Szilveszter, P.ENG
 Ontario P.ENG 100041568

