



2-7/8" Hex Stress Plate

DEKFAST™ PLT-H-2-7/8



Application

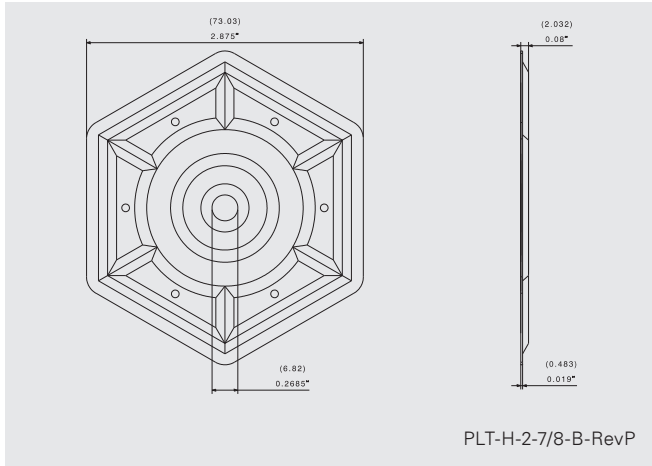
Insulation and cover board attachment to steel and wood roof decks

Features and Benefits

- Flat bottom provides for use on rigid board surfaces
- Stacked for ease of use
- 26 ga. Galvalume® steel

Product Selection

| Material No. | Item | Description | Carton Wt. (lbs.) | Carton Qty. |
|--------------|-----------------------------|---------------|-------------------|-------------|
| 730612 | 2-7/8" Hex Insulation Plate | PLT-H-2-7/8-B | 38 | 1,000 |



Specifications

OD: 2-7/8" (73 mm) Hex
 Thickness: 0.019" (0.48 mm)
 Finish: AZ50 Galvalume®

Approvals



State of Florida: FL20311

16-0712.08

Installation and Application Considerations

Use in applications approved by the roofing system manufacturer. Use with:

- #12 Dekfast
- #14 Dekfast
- #15 Dekfast
- 1/4" Dekspike
- TPR

Metric values are approximate conversions.

Galvalume® is a registered trademark of BIEC International, Inc.

The details stated are results of tests and/or calculations and therefore are non-binding and do not represent warranties or warranted characteristics for not specified applications. All calculations therefore have to be checked and approved by the responsible planner ahead of execution. The user is responsible to assure compliance with all applicable laws and regulations.

US
 T 800 234 4533
 www.sfsintecusa.com

Canada
 T 866 847 5400
 www.sfsintec.ca